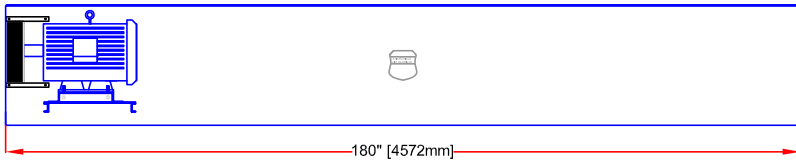
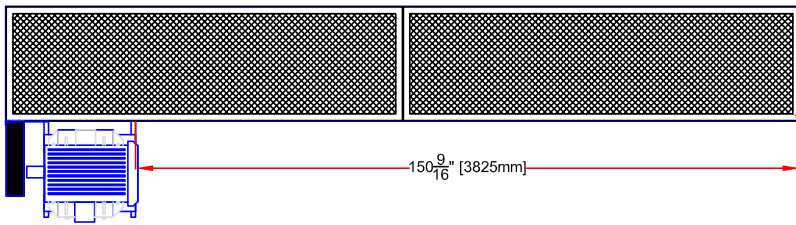


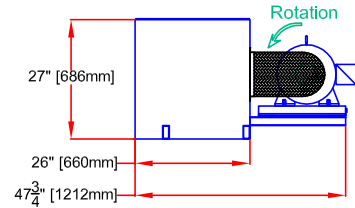
FRONT VIEW



TOP VIEW



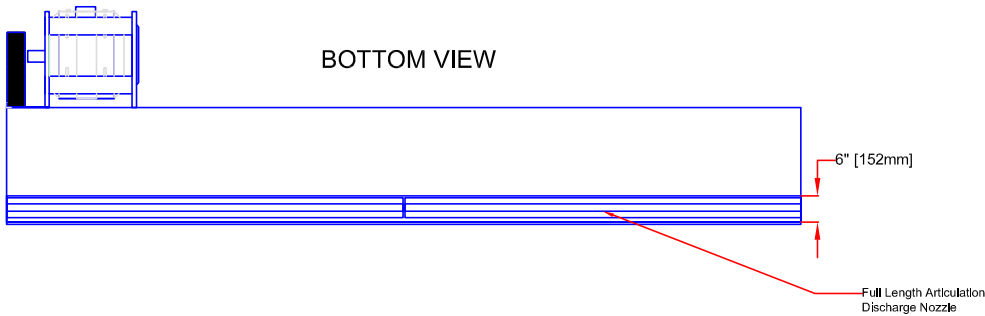
Air Intake



Left Hand View

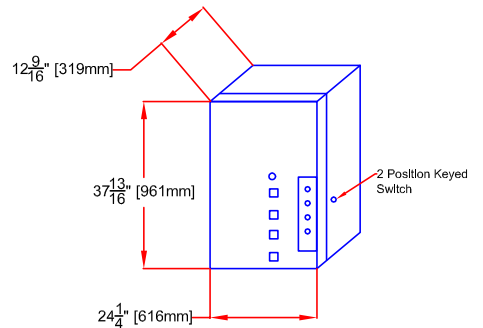
3/8" x 16 gauge expanded metal Intake screen

BOTTOM VIEW



Full Length Articulation Discharge Nozzle

Soft Starter Control Panel



NOTES:

- 1) Installer responsible for securely and structurally mounting the air barrier.
- 2) Air Barrier is capable of spanning door without the need for intermediate support.
- 3) Top air intake is standard. Front intake available upon request.
- 4) Front motor placement is standard. Top motor placement available upon request.
- 5) Unit is to be mounted 1" above the door header.
- 6) Remote lockable NEMA 1 enclosure, motor overload protection, with external reset, Soft starter is factory set with 5 sec start up.
- 7) 2 Wall Mounts Provided.
- 8) Cabinet and accessories are powder coated ASA 49.
- 9) Electrical connection and disconnect is by others.
- 10) 4 Extendable sliders provided.

CWB & CSA CERTIFIED

ENERSHIELD INDUSTRIES LTD 16821-113 AVENUE EDMONTON, ALBERTA T5M 2X2 PH (780) 482-4662 FAX (780) 482-4074 E-mail: info@enershield.ca www.enershield.ca	Engineer:	MEGASHIELD			MS-180
	Contractor:	Motor: 1 @ 25 hp TEFC 1800 RPM IP55		# Blowers	5
PROJECT:	Tag:	3 PHASE VOLTAGE	FLA	Air Velocity fpm-m/s	9900 /50.3
		575	25	Air Volume CFM-l/s	40,500 /19,114
				Total hp/Kw	30/22.38
				Weight lbs/Kg	1650/750