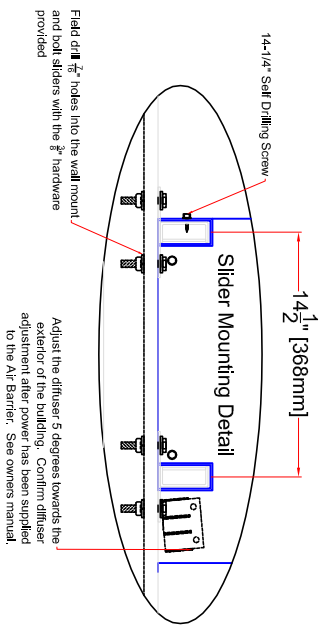
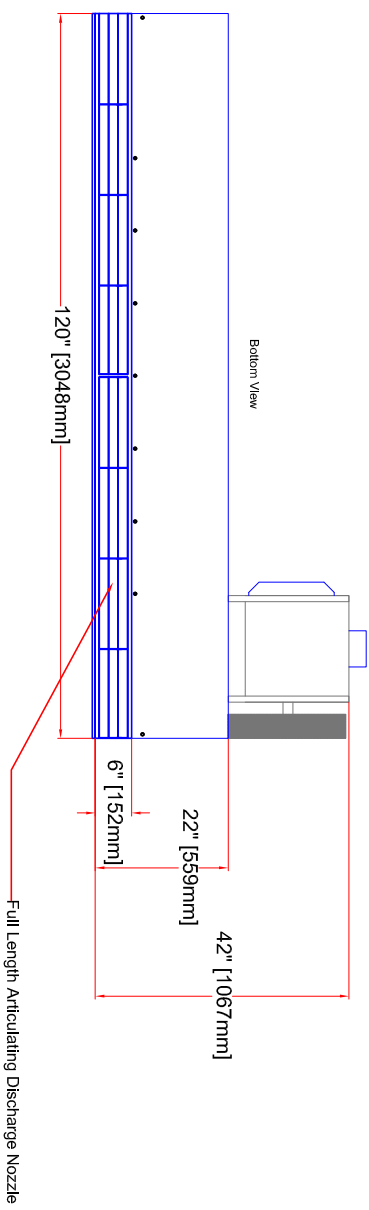


Min of 3" clearance between barrier and open door. Door not shown.



- Note:**
- 1) Top Air Intake standard. Front Intake optional.
 - 2) Consult factory for installation on standard lift OH doors.
 - 3) Factory set 5sec soft starter ramp up time.
 - 4) Controls: Lockable NEMA 1 Enclosure 640mm x 410mm x 215mm, with 15 Hp soft starter, 2 position keyed switch, external resets, 120V control circuit.
 - 5) 20 Gauge G-90 Galvanized metal decking.
 - 6) Installation height not to exceed 1" above door jamb.
 - 7) Barrier is to be mounted on the buildings interior.
 - 8) Minimum clearance for air intake 10".
 - 9) 4" minimum height for air intake 10".
 - 10) 2" Wall Mounts provided.
 - 11) Electrical is by others.
 - 12) Installation by others.

CSA & CWB CERTIFIED

ENERSHIELD INDUSTRIES LTD

16821-113 AVENUE
 EDMONTON, ALBERTA T5M 2X2
 PH (780) 482-4662 FAX (780) 482-4074
 E-mail: info@enershield.ca
 WWW. ENERSHIELD.CA

ENERSHIELD AIR BARRIER

VOLTAGE	VOLTAGE	VOLTAGE	Blowers
208V 3phase 60 Hz Motors) TEFC, IP55, VFD Compatible, 1800 RPM	460V 3phase 60 Hz Motors) TEFC, IP55, VFD Compatible, 1800 RPM	575V 3phase 60 Hz Motors) TEFC, IP55, VFD Compatible, 1800 RPM	4
1 @ 15 hp total 38.7 FLA	1 @ 15 hp total 18.6 FLA	1 @ 15 hp total 14.5 FLA	

Xtremeshield	XS-120
Air Velocity (fpm) (m/s)	7500/38.1
Air Volume (cfm) (l/s)	23,820/11,241
Total hp/watts	15 hp/11,190W
Weight lbs/Kg	850/386