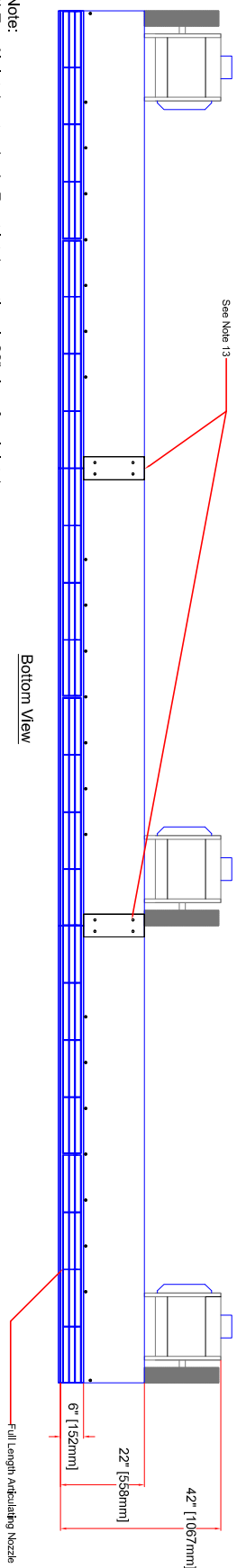
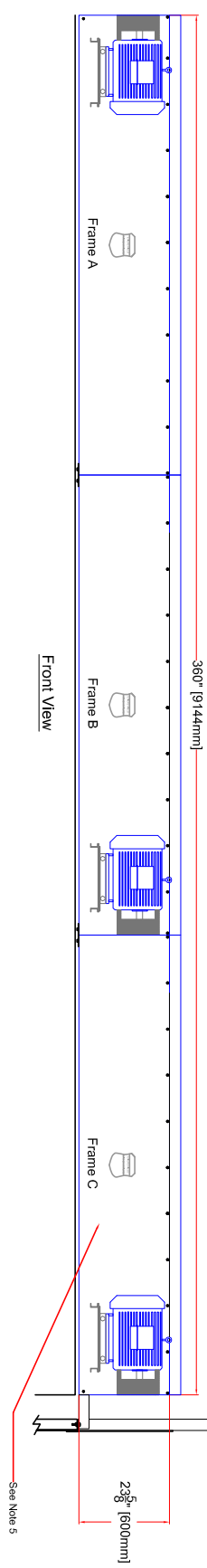
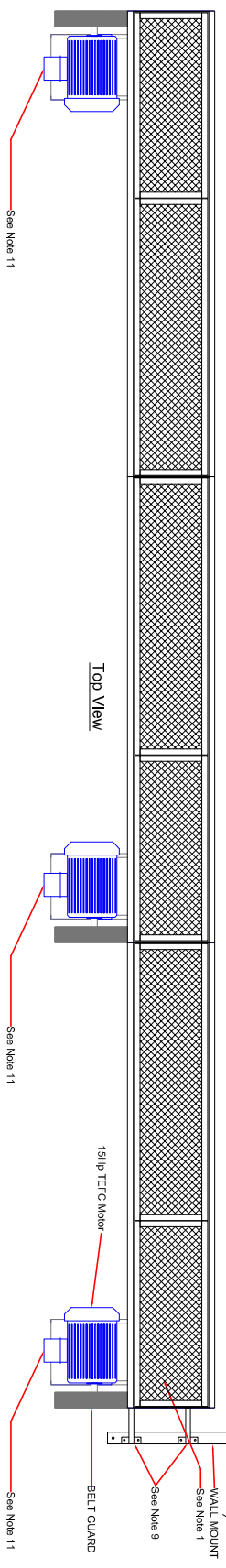
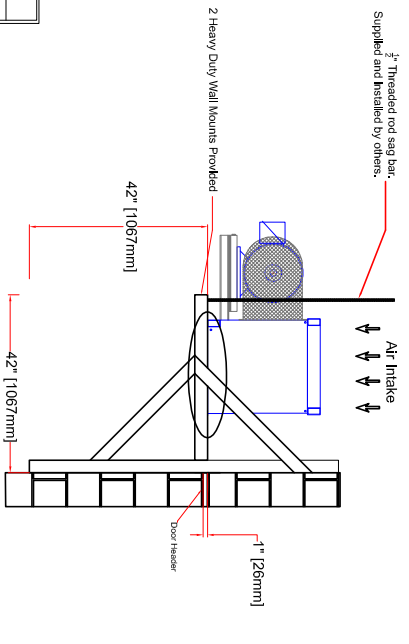
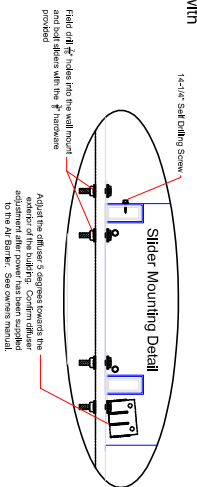


DOOR OPENING WIDTH

EXISTING WALL



- Note:
- 1) Top Air Intake standard. Front Intake optional. 22" clear for air intake.
 - 2) Consult factory for installation on standard lift OH doors and roll up doors.
 - 3) Factory set 5 sec soft starter ramp up time.
 - 4) Controls: Remote, Lockable NEMA 1 Enclosure, 640mm x 410mm x 215mm, with soft starter, 2 position keyed switch, external resets, 120V control circuit, with photo electric sensor to activate and deactivate the Air Barrier.
 - 5) 20 Gauge G 90 Galvanized metal cladding.
 - 6) Installation height not to exceed 1" above door opening height.
 - 7) Barrier is to be mounted on the buildings interior.
 - 8) 4 Installation sliders provided.
 - 9) 2 Wall Mounts provided.
 - 10) Electrical by others.
 - 11) Installation by others.
 - 12) Frame sections to be bolted together in the field. Hardware provided.
 - 13) Unit is capable of spanning the door width without the need for intermediate support.



CSA & CMB CERTIFIED

ENERSHIELD INDUSTRIES LTD
 16821-113 AVENUE
 EDMONTON, ALBERTA T5M 2X2
 PH (780) 482-4662 FAX (780) 482-4074
 E-mail: info@enershield.ca
 WWW.enershield.ca

VOLTAGE	575/360	Xtremeshield	XS-360
TEFC Motor(s)	3 @ 15hp	Air Velocity (Fpm) (m/s)	7500/38.1
FLAMMOR	14.5 FLA	Air Volume (CFM) (L/S)	71,520/
# Blowers	12	Total hp/watts	45 hp/33,570W
Total FLA	47.4	Weight lbs/kg	2850 / 1295