



ENERSHIELD Air Barriers

Specializing in Energy Management Climate Control Systems

Energy Saving Technology

Manufacturing & Design

16821 – 113 Avenue, Edmonton Alberta T5M 2X2

Phone (780) 482-4662 • Fax (780) 482-4074

Toll Free – 1-866-464-3667

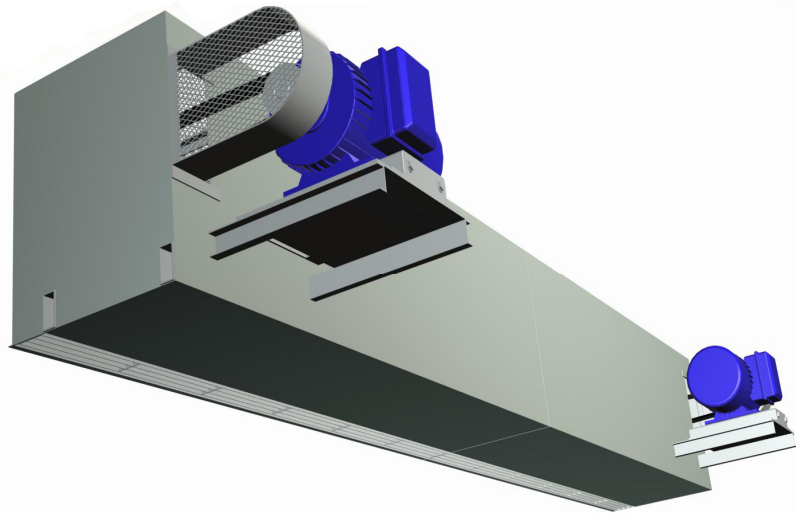
www.enershield.ca

Durashield-HD DSH-168 - Air Barrier Specifications

Enershield Durashield-HD model DSH-168 is 168” / 4267 mm in length. Powder coated 1/8” steel frame construction & 20 gauge G.90 sheet metal jacket, c/w acoustic insulation with acrylic anti-microbial coating. Air Barrier is provided with powder coated telescopic sliders & wall brackets, lockable remote NEMA 1 control panel incorporating soft start and photo electric cell door sensor for automatic activation upon door opening. Operating characteristics: 7 forward curved double inlet blowers providing Air Velocity = 5500 fpm, Air Volume = 22,575 cfm, Electrical: see chart below Motors: 2 @ 5 hp = 10 hp total (7460 Watts). Weight = 840 lbs. Decibel rating is 74 dB at a distance of 10’ from the unit. CSA Certified.

Warranty: 2 yrs parts.

| Model | DSH-168 |
|----------------------------|-------------------------------|
| Cabinet Length in./mm | 168” 4267 mm |
| Height x Width | 20”x 17 1/2” 508mm x 444mm |
| Weight lbs/Kgs | 840 lbs. 382 kgs. |
| Horse Power | 5 hp 3730 watts |
| Fans/Blowers | 6 |
| Motors TEFC | 2 |
| Total Horsepower | 10 hp 7,460 watts |
| Decibels | 74 dB |
| Max FPM at Nozzle | 5500 fpm 27.9 m/s |
| CFM at Nozzle | 22,575 cfm 10,654 l/s |
| Outlet Velocity Uniformity | 95% |



| Available Motor(s) | | | |
|---|-------------|-------------|--------------|
| Operating Voltage: | 575/3/60 | 460/3/60 | 208/3/60 |
| Amp Draw FLA | 5.2 Amps ea | 6.5 Amps ea | 14.4 Amps ea |
| TEFC Motor 1750 RPM, IP55, VFD Compatible, T-Frame, 89.5% Eff. | | | |

nb: All units can be manufactured for a vertical application. Information available on request
4/17/2012