



ENERSHIELD Air Barriers

Specializing in Energy Management Climate Control Systems

Energy Saving Technology

Manufacturing & Design

16821 – 113 Avenue, Edmonton Alberta T5M 2X2

Phone (780) 482-4662 • Fax (780) 482-4074

Toll Free – 1-866-464-3667

www.enershield.ca

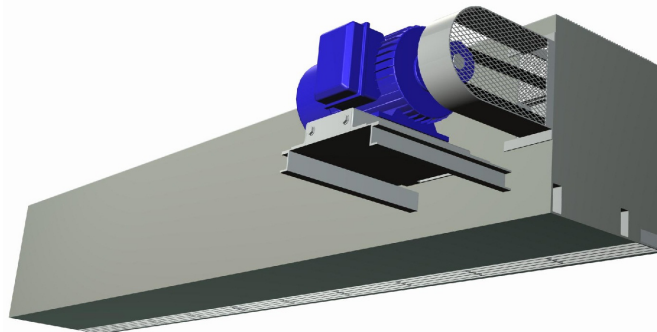
Durashield-HD DSH-72 - Air Barrier Specifications

Enershield Durashield-HD model DSH-72 is 72" /1829 mm in length. Cabinet is constructed of .1" welded tubular steel lower main frame with 1/8" angular steel upper box frame, clad with 20 gauge G.90 galvanized sheet metal siliconed and secured to the cabinet with 1/4" self drilling screws. Removable 16 gauge 1/2" expanded metal top air intake screen is standard (front intake available). Full length adjustable articulating 4" wide 14 gauge 4 vane discharge nozzle. Fibre glass 1" front/back and 3" bottom acoustic insulation with acrylic anti-microbial coating. The Air Barrier is provided with powder coated telescopic sliders & wall brackets, lockable remote NEMA 1 control panel incorporating soft start, NEMA 4X retro reflective/diffuse photo electric cell door sensor for automatic activation upon door opening, individual motor overload protection with external reset, power indicator light, Operating characteristics: 3 9" diameter blower wheels in a galvanized forward curved double inlet housing 24"o/c providing an Air Velocity = 5500 fpm, Air Volume = 9675 cfm, Electrical: see chart below Motors: 1 @ 5 hp = 5 hp total (3730 Watts). Weight = 390 lbs. Decibel rating is 71 dB at a distance of 10' from the unit. CSA Certified. The blowers are belt driven along a common 1" 1045 PG shaft by a single externally mounted 5hp TEFC motor. Motor can be front or top mount. Serviceable single row pillow block ball bearings. The air barrier comes completely assembled. CSA Certified. CWB Certified. Variable Frequency Drive available upon request.

Warranty: 2 yrs parts.

Made In Canada

Model	DSH-72
Cabinet Length in./mm	72" 1829 mm
Height x Width	20"x 17 1/2" 508mm x 445mm
Weight lbs/Kgs	390 lbs. 177 kgs.
Horse Power	5 hp 3730 watts
Fans/Blowers	3
Motors TEFC	1
Total Horsepower	5 hp 3730 watts
Decibels	71 dB
Max FPM at Nozzle	5500 fpm 27.9 m/s
CFM at Nozzle	9675 cfm 4566 l/s
Outlet Velocity Uniformity	95%



Available Motor(s)			
Operating Voltage:	575/3/60	460/3/60	208/3/60
Amp Draw FLA	5.2 Amps	6.5 Amps	14.4 Amps ea.
TEFC Motor(s) 1750 RPM, IP55, VFD Compatible, T-Frame, 89.5% Eff.			

nb: All units can be manufactured for a vertical application. Information available on request
4/10/2012