



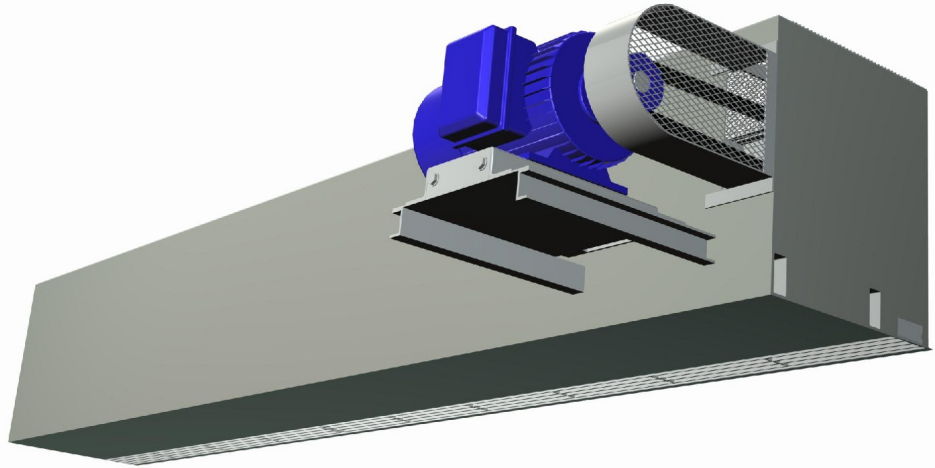
ENERSHIELD Air Barriers
 Specializing in Energy Management Climate Control Systems
Energy Saving Technology
 Manufacturing & Design
 16821 – 113 Avenue, Edmonton Alberta T5M 2X2
 Phone (780) 482-4662 • Fax (780) 482-4074
 Toll Free – 1-866-464-3667
 www.enershield.ca

Durashield-HD DSH-96 - Air Barrier Specifications

Enershield Durashield-HD model DSH-96 is 96" / 2438 mm in length. Powder coated 1/8" steel frame construction & 20 gauge G.90 sheet metal jacket, c/w acoustic insulation with acrylic anti-microbial coating. Air Barrier provided with powder coated telescopic sliders & wall brackets, lockable remote NEMA 1 control panel incorporating soft start and photo electric cell door sensor for automatic activation upon door opening. Operating characteristics: 4 forward curved double inlet blowers providing an Air Velocity = 5500 fpm, Air Volume = 12,900 cfm, Electrical: see chart below Motors: 1 @ 5 hp = 5 hp total (3730 Watts). Weight = 520 lbs. Decibel rating is 71 dB at a distance of 10' from the unit. CSA Certified.

Warranty: 2 yrs parts.

Model	DSH-96
Cabinet Length in./mm	96" 2438 mm
Height x Width	20"x 17 1/2" 508mm x 445mm
Weight lbs/Kgs	520 lbs. 237 kgs.
Horse Power	5 hp 3730 watts
Fans/Blowers	4
Motors TEFC	1
Total Horsepower	5 hp 3730 watts
Decibels	71 dB
Max FPM at Nozzle	5500 fpm 27.9 m/s
CFM at Nozzle	12,900 cfm 6088 l/s
Outlet Velocity Uniformity	95%



Available Motor(s)			
Operating Voltage:	575/3/60	460/3/60	208/3/60
Amp Draw FLA	5.2 Amps	6.5 Amps	14.4 Amps ea.
TEFC Motor(s) 1750 RPM, IP55, VFD Compatible, T-Frame, 89.5% Eff.			

nb: All units can be manufactured for a vertical application. Information available on request
4/10/2012