



ENERSHIELD Air Barriers

Specializing in Energy Management Climate Control Systems

Energy Saving Technology

Manufacturing & Design

16821 – 113 Avenue, Edmonton Alberta T5M 2X2

Phone (780) 482-4662 • Fax (780) 482-4074

Toll Free – 1-866-464-3667

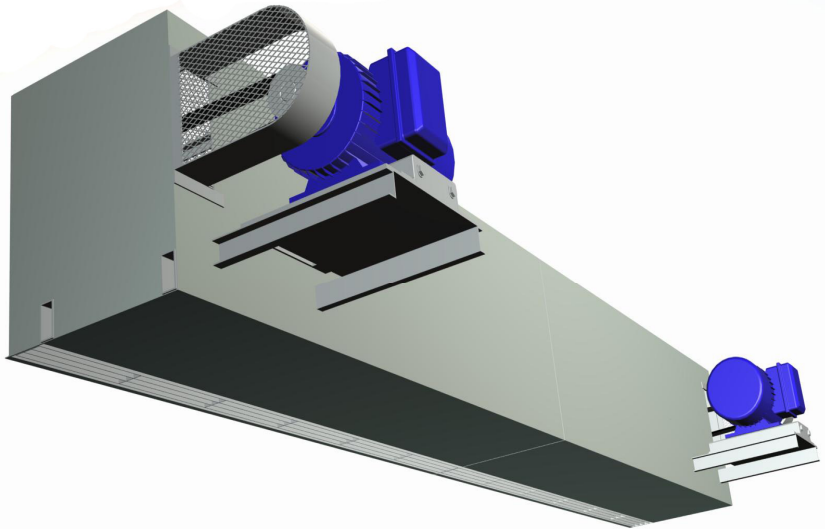
www.enershield.ca

Ultrashield US-144 - Air Barrier Specifications

Enershield Ultrashield model US-144 is 144” /3658 mm in length. Powder coated 1/8” steel frame construction & 20 gauge G.90 sheet metal jacket, c/w acoustic insulation with acrylic anti-microbial coating. Air Barrier is provided with powder coated telescopic sliders & wall brackets, lockable remote NEMA 1 control panel incorporating soft start and photo electric cell door sensor for automatic activation upon door opening. **The Air Barrier is capable of spanning the opening without the need for intermediate support.** Operating characteristics: 6 forward curved double inlet blowers providing Air Velocity = 6500 fpm, Air Volume = 23,850 cfm, Electrical: see chart below Motors: 2 @ 7.5 hp = 15 hp total (11,190 Watts). Weight = 840 lbs. Decibel rating is 74 dB at a distance of 10’ from the unit. CSA Certified.

Warranty: 2 yrs parts.

Model	US-144
Cabinet Length in./mm	144” 3658 mm
Height x Width	22”x 19 1/2” 559mm x 496mm
Weight lbs/Kgs	840 lbs. 382 kgs.
Horse Power	7.5 hp 5595 watts
Fans/Blowers	6
Motors TEFC	2
Total Horsepower	15 hp 11,190 watts
Decibels	74 dB
Max FPM at Nozzle	6500 fpm 33 m/s
CFM at Nozzle	23,850 cfm 11,256 l/s
Outlet Velocity Uniformity	95%



Available Motors			
Operating Voltage:	575/3/60	460/3/60	208/3/60
Amp Draw FLA	7.6 Amps	9.5 Amps	21 Amps ea.
TEFC Motor 1750 RPM, IP55, VFD Compatible, T-Frame, 89.5% Eff.			

nb: All units can be manufactured for a vertical application. Information available on request
4/17/2012